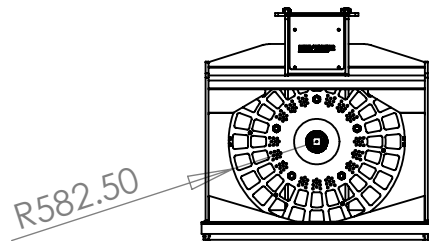
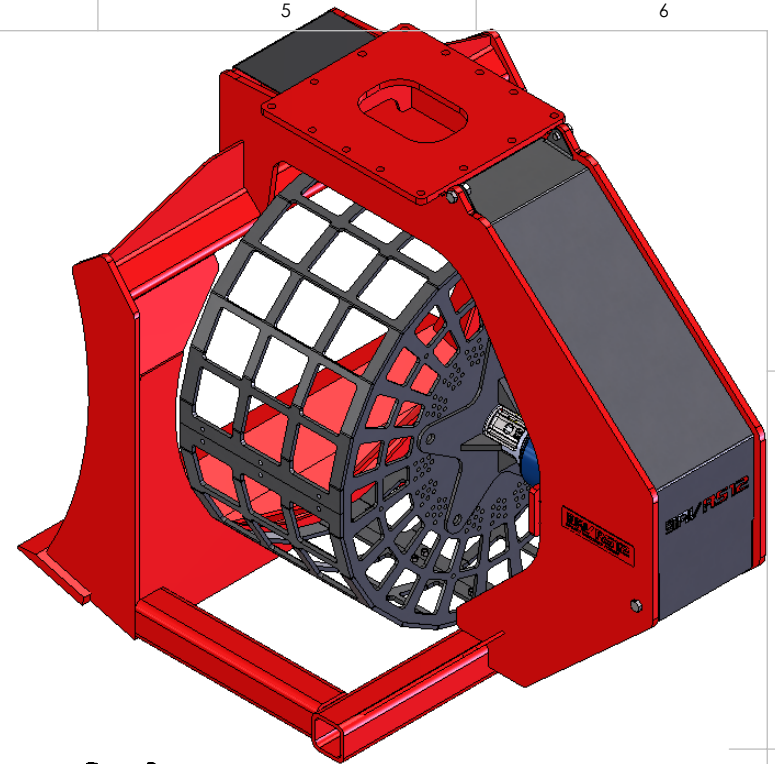
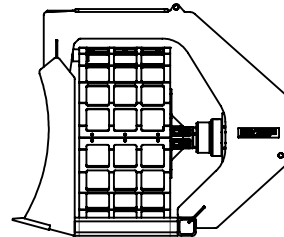


1189



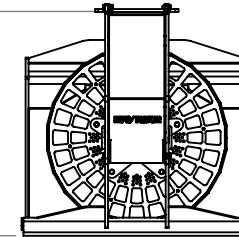
R582.50

1524



600

1484



UNLESS OTHERWISE SPECIFIED:
DIMENSIONS ARE IN MILLIMETERS
SURFACE FINISH:
TOLERANCES:
LINEAR:
ANGULAR:

FINISH:

DEBUR AND
BREAK SHARP
EDGES

DO NOT SCALE DRAWING

REVISION



	NAME	SIGNATURE	DATE	
DRAWN			24 January 2014 08:39:30	
CHK'D				
APPV'D				
MFG				
Q.A				
				MATERIAL:
				WEIGHT:

TITLE:

DWG NO.

BAV-RS12

A4

SCALE:1:50

SHEET 1 OF 1